

# DTT-50/DTT-60 Industrial Desk/Wall Telephones

# DTR-51/DTR-61 Industrial Desk/Wall Ringdown Telephones



DTT-50  
– configured for  
wall mount

DTR-51  
– configured for  
desk top

SRX-50-Z  
Supplemental Receiver

## FEATURES and BENEFITS

- Static dissipative, high impact thermoset resin industrial housing and ergonomic heavy duty handset – IP-66 compliant
- DTT models feature a back-lit LCD display – 2 line x 16 character: English, French or Spanish
- Reversible base for desktop or wall mount configurations
- Audio modes – handset and hands-free speaker phone or optional headsets (DTT model only). *Note: when the optional headset is used the speaker phone feature is not available*
- Corrosion resistant hardware
- Noise canceling microphone
- Self resetting fuse prevents damage to the electronic circuits in the event of a high voltage spike on the telephone line
- Magnetic reed hook switch to reduce parts subject to wear
- Factory set to tone (DTMF) Operation
- Pulse dialing can be software configured in the field, 60:40 or 66:33
- Removable handset retainer latches on cradle
- Large urethane coated water tight silicon keypad on DTT models
- Link, Release, Redial and Flash keys on DTT models
- Hearing-aid compatible (HAC) receiver
- Receiver Volume Control provides user with a 16 dB range
- Heavy duty coil cord on DTT-50 and DTR-51 or armored cord on DTT-60 or DTR-61
- Built in ring detect relay to switch up to 240V @ 5 amps
- 20 number memory including 10 programmable speed-dial numbers
- Programmable auto hang-up timer
- Two M20 and one M12 gland entries
- Field repairable by authorized personnel
- Does not require external power – operates on telephone line power

## APPLICATIONS

- Refineries
- Power Generation Facilities
- Pulp and Paper Mills
- Food Processing Plants
- Chemical Plants
- Construction Sites
- Cement Plants
- Sewage Plants
- Drilling Rigs
- Hydroelectric Facilities
- Warehouses
- Mines
- Greenhouses
- and more . . .

## INSTALLATION and CONNECTABILITY

To provide flexibility and potential for growth, Guardian telephones are easily and economically connected to any telephone network by standard wiring and components. Voice quality is unaffected when phones are connected within 15,000 feet (~ 4,600 meters) of a main telephone switch accepting single line telephones. Guardian DTT telephones can be factory set for either tone or pulse operation.

## ACCESSORIES and OPTIONS

- SRX-50-2 – supplemental ear piece receiver
- Headset

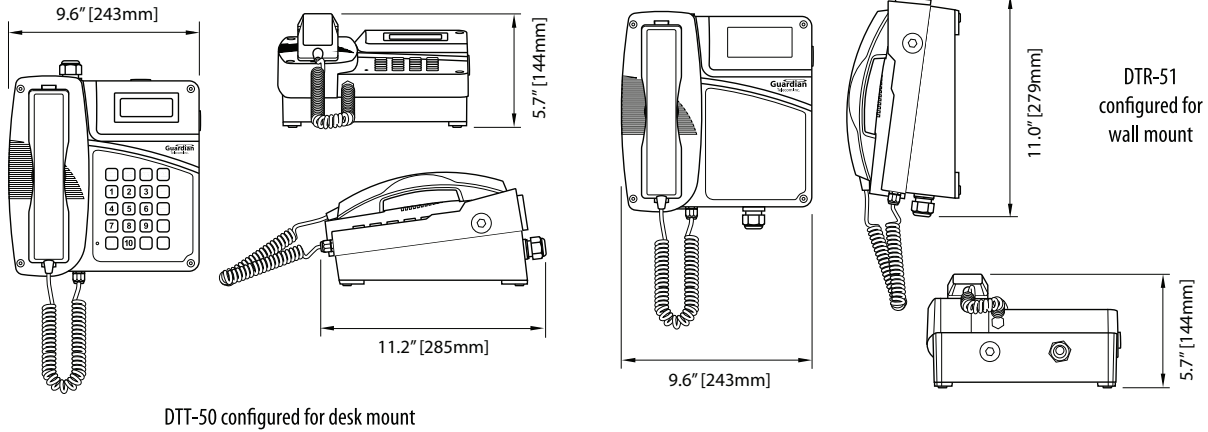
DTT telephones & DTR ringdown telephones are designed to provide safe, reliable communication in industrial areas that are prone to moderately harmful environments, where consumer phones are not suitable.

DTT models feature a watertight keypad and can be programmed for speed dialing. DTR models are ringdown telephones. Lift a DTR handset and PBX programming routes the call to its assigned location.

**Guardian**  
Telecom Inc.

ISO 9001 Today's Quality Creates Our Future

## OVERALL DIMENSIONS



DTT Industrial Desk/Wall Telephones • DTR Industrial Desk/Wall Ringdown Telephones

## ENGINEERING SPECIFICATIONS

### ELECTRICAL PERFORMANCE

Audio Range Frequency Response  
 Dialing Method (DTT Models Only)

300 - 3400 Hz  
 DTMF or 60:40/66:33 Pulse @10 PPS

### North American Configuration

Transmit Objective Loudness Rating (TOLR)  
 Receiver Volume Adjustment\*  
 Receiver Objective Loudness Rating (ROLR)  
 – receiver volume at maximum  
 – receiver volume at minimum  
 Side Tone Objective Loudness Rating (SOLR)  
 – receiver volume at maximum  
 – receiver volume at minimum

Nominal -38.5 +/- 3 dB  
 8 Steps 2 dB/Step  
 Nominal 50 +/- 3 dB  
 42 +/- 3 dB  
 58 +/- 3 dB  
 Nominal 11 +/- 4 dB  
 0 +/- 4 dB  
 10 +/- 4 dB

### European Configuration

Conforms To

Residential and Industrial Areas  
 ETSI TBR 38: May 1998 (Acoustics)  
 ETSI TBR 21: January 1998 (Telephone Network)  
 20 Numbers Including 10 Quick Dial  
 280/600 mSec Timed Disconnect  
 31 Digits Maximum  
 85 dB @ 1M  
 0.9 A  
 600 Ohms Nominal  
 15Kft (~4,600m) of 22 AWG Wire

Memory Dial } DTT Models  
 Flash } Only  
 Redial }

Ringer Output  
 FCC Ringer Equivalence  
 Set Impedance  
 Maximum Loop

### MECHANICAL SPECIFICATIONS

Hook Switch (Cradle Switch) Life  
 Body Construction  
 Hand Set Construction  
 Net Weight  
 Shipping Weight  
 Shipping Dimensions (L x W x D)  
 Mounting  
 Microphone  
 Receiver  
 Hardware Material  
 Connection Fittings

>1 000 000 Operations  
 High Impact Thermoset Resin Compound  
 High Impact Thermoset Resin Compound  
 8.6 lbs (3.9 kg)  
 10.5 lbs (4.8 kg)  
 16.0" x 10.5" x 9.5" (407 x 267 x 242 mm)  
 Desk Top or Vertical Wall  
 Noise Canceling  
 Hearing Aid Compatible  
 Stainless Steel  
 1 M20 and 1 M12 Gland Entries

### ELECTRICAL REQUIREMENTS

Ringer Sensitivity  
 Line Voltage  
 Loop Current  
 Connection Method  
 Fuse – Main Telephone CCT  
 Ring Detect Relay Contacts ( Fused )

40 -100 V, 16 - 25 Hz  
 24 - 56 VDC  
 DTT 26 - 100 mA, DTR 20 - 100 mA  
 Terminal Strip  
 250 mA – Auto Reset  
 5 Amp 240 VAC Fast Blow

### ENVIRONMENTAL

Corrosion Resistant  
 Temperature Range  
 Ingress Protection Rating  
 Humidity

Full Gasket Faceplate  
 -30° to +60°C ( -22°F to +140°F ) \*  
 \* The LCD on DTT models may become non-responsive in temperatures under -20°C ( -4°F )  
 IP66  
 0 to 95% RH

### COMPLIANCE



### ORDERING INFORMATION

Warranty: One year parts and labor

Order No.	Description
P3027	DTT-50 Telephone/Silicon Keypad /Volume Control on Keypad/Curly Cord
P3028	DTT-60 Telephone/Silicon Keypad/Volume Control on Keypad/Armored Cord
P3029	DTR-51 Ringdown Telephone/Volume Control on Handset/Curly Cord
P3030	DTR-61 Ringdown Telephone/Volume Control on Handset/Armored Cord

### Options

P3024 SRX-50-2 Supplementary Receiver  
 Extended handset curly cords (up to 20ft/6.1m)  
 Headset Contact a Guardian Telecom sales representative for details  
 Custom colors are available for non-zone I applications. Minimum quantities or premiums may apply. For details on custom options, contact a Guardian Telecom sales representative.

Distributed by: